

GREASE FITTINGS

NUVO - GREASE





TABLE OF CONTENTS

Introduction.....	2
1/4"-28 SAE-LT.....	6
1/8"-27 NPTF.....	6
1/8"-27 NPTF/FEMALE.....	7
1/4"-18 NPTF.....	7
3/8"-18 PTF.....	7
PARALLEL.....	8
THREAD FORMING.....	8
DRIVE TYPE / DRIVE TOOLS.....	8-9
BUTTON HEAD.....	10
VENT-3/8" PTF.....	10
BREATHER.....	11
1/8"-27 NPTF / 1/4"-28 SAE-LT / STAINLESS STEEL.....	11
BRITISH THREAD.....	11
M6 / M8 / M10 - POPULOR.....	12
COUPLERS / CONVENTIONAL.....	13
COUPLERS / BUTTON HEAD.....	14
ADAPTER / MALE X FEMALE.....	15
ADAPTER / METRIC TO ENGLISH.....	15
GREASE HOSES.....	16
GREASE GUN.....	17



1/4" - 28 SAE-LT / SAE J534

<p>H-1637 Straight</p> <p>1/4"-28 Taper Thread Standard Shank</p> <p>0.20"</p>	<p>H-1641 Straight</p> <p>1/4"-28 Taper Thread Standard Shank</p> <p>0.48"</p>	<p>H-1652 Straight</p> <p>1/4"-28 Taper Thread Long Shank</p> <p>0.34"</p>	<p>H-1680 Straight</p> <p>1/4"-28 Taper Thread Extra Long Shank</p> <p>0.60"</p>	<p>H-1698 Straight</p> <p>1/4"-28 Taper Thread Super Long Shank</p> <p>0.81"</p>
---	---	---	---	---

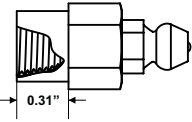
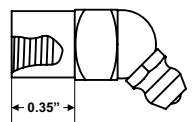
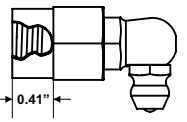
<p>H-1911 90°</p> <p>1/4"-28 Taper Thread Standard Shank</p> <p>0.20"</p>	<p>H-3014 Straight</p> <p>1/4"-28 Taper Thread Ultra Long Shank</p> <p>1.00"</p>
--	---

1/8" - 27 NPTF / SAE J534

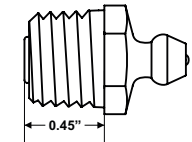
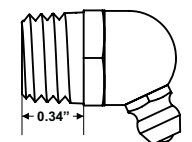
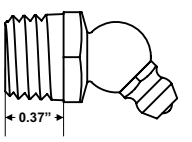
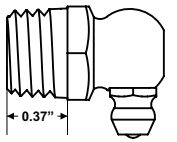
<p>H-1606 90°</p> <p>1/8"-27 PTF Spl. Short Extra Long Shank</p> <p>1.25"</p>	<p>H-1607 Straight</p> <p>1/8"-27 PTF SAE Short Extra Long Shank</p> <p>0.75"</p>	<p>H-1610 Straight</p> <p>1/8"-27PTF Spl. Extra Short Standard Shank</p> <p>0.28"</p>	<p>H-1612 65°</p> <p>1/8"-27 PTF Spl. Short Standard Shank</p> <p>0.30"</p>	<p>H-1613 Straight</p> <p>1/8"-27 PTF Spl. Short Standard Shank</p> <p>0.30"</p>
--	--	--	--	---

<p>H-1644 Straight</p> <p>1/8"-27 PTF Spl. Short Extra Short Shank</p> <p>0.23"</p>	<p>H-1669 Straight</p> <p>1/8"-27 PTF SAE Short Super Long Shank</p> <p>1.08"</p>	<p>H-1684 Straight</p> <p>1/8"-27 PTF Spl. Short Super Long Shank</p> <p>2.16"</p>	<p>H-1688 45°</p> <p>1/8"-27 PTF Spl. Short Standard Shank</p> <p>0.28"</p>
--	--	---	--

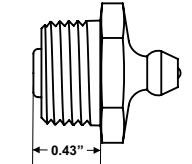
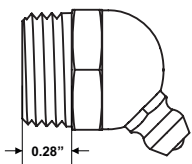
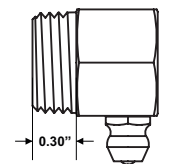
1/8" - 27 NPTF / FEMALE / SAE J534

<p>H-1618 Straight</p> <p>1/8"-27 NPTF Female Threads</p>  <p>0.31"</p>	<p>H-1620 45°</p> <p>1/8"-27 NPTF Female Threads</p>  <p>0.35"</p>	<p>H-1641 90°</p> <p>1/8"-27 NPTF Female Threads</p>  <p>0.41"</p>
---	--	--

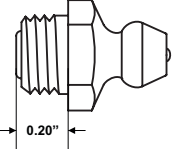
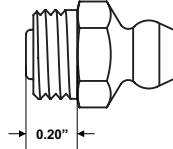
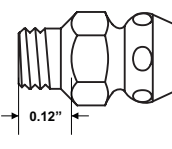
1/4" - 18 NPTF / SAE J534

<p>H-1627 Straight</p> <p>1/4"-18 PTF SAE Short Standard Shank</p>  <p>0.45"</p>	<p>H-1629 65°</p> <p>1/4"-18 PTF SAE Short Standard Shank</p>  <p>0.34"</p>	<p>H-1645 45°</p> <p>1/4"-18 NPTF Standard Shank</p>  <p>0.37"</p>	<p>H-1690 90°</p> <p>1/4"-18 PTF SAE Short Standard Shank</p>  <p>0.37"</p>
--	---	--	--

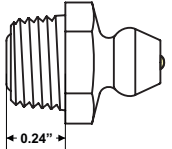
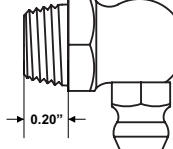
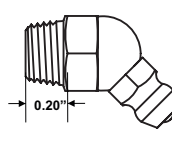
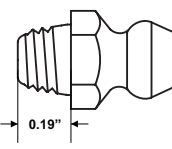
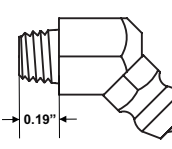
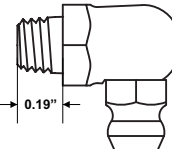
3/8" - 18 PTF / SAE J534

<p>H-1714 Straight</p> <p>3/8"-18 PTF Spl. Ex. Short Standard Shank</p>  <p>0.43"</p>	<p>H-1715 45°</p> <p>3/8"-18 PTF Spl. Short Standard Shank</p>  <p>0.28"</p>	<p>H-1716 90°</p> <p>3/8"-18 PTF Spl. Short Standard Shank</p>  <p>0.30"</p>
---	--	--

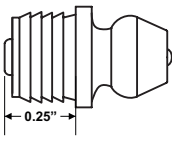
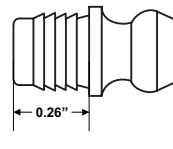
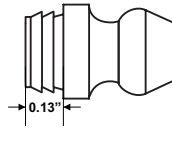
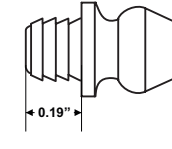
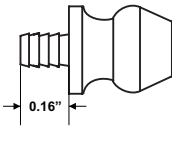
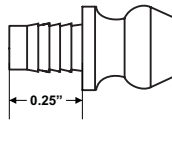
PARALLEL / SAE J534

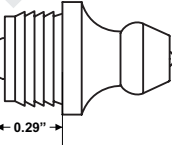
<p>H-1631 Straight</p> <p>5/16"-32 PTF UNEF Standard Shank</p>  <p>0.20"</p>	<p>H-1711 Straight</p> <p>5/16"-24 UNF Standard Shank</p>  <p>0.20"</p>	<p>H-3016 Straight</p> <p>10-32 UNF Standard Shank</p>  <p>0.12"</p>
--	---	--

THREAD FORMING / SAE J534

<p>H-1720 Straight</p> <p>1/8"-27 Thread Forming Standard Shank</p>  <p>0.24"</p>	<p>H-1723 90°</p> <p>1/8"-27 Thread Forming Standard Shank</p>  <p>0.20"</p>	<p>H-1607 45°</p> <p>1/8"-27 Thread Forming Standard Shank</p>  <p>0.20"</p>	<p>H-3038 Straight</p> <p>1/4"-28 Thread Forming Standard Shank</p>  <p>0.19"</p>	<p>H-3053 45°</p> <p>1/4"-28 Thread Forming Standard Shank</p>  <p>0.19"</p>	<p>H-3054 90°</p> <p>1/4"-28 Thread Forming Standard Shank</p>  <p>0.19"</p>
---	--	--	---	--	--

DRIVE TYPE / SAE J534

<p>H-1608 Straight</p> <p>≈5/16" Drill Size Standard Shank</p>  <p>0.25"</p>	<p>H-1743 Straight</p> <p>≈1/4" Drill Size Long Shank</p>  <p>0.26"</p>	<p>H-1952 Straight</p> <p>≈1/4" Drill Size Short Shank</p>  <p>0.13"</p>	<p>H-3005 Straight</p> <p>≈3/16" Drill Size Standard Shank</p>  <p>0.19"</p>	<p>H-3019 Straight</p> <p>≈1/8" Drill Size Standard Shank</p>  <p>0.16"</p>	<p>H-5012 Straight</p> <p>≈5/32" Drill Size Standard Shank</p>  <p>0.25"</p>
--	---	--	--	---	--

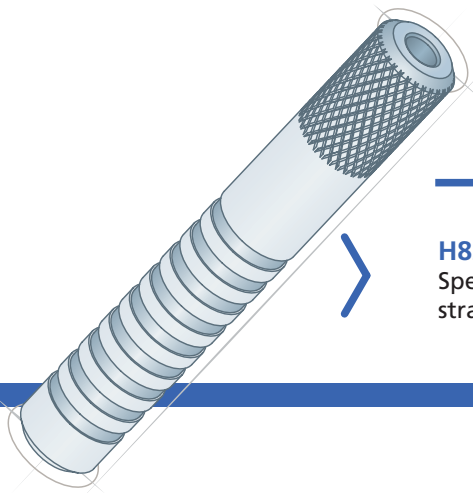
<p>H-5036 Straight</p> <p>≈3/8" Drill Size Standard Shank</p>  <p>0.29"</p>

DRIVE TOOLS

Drive tools are designed to ease the installation of drive type fittings. Their special design holds and guides grease fittings as they are driven in place, reducing the risk of damage. They are available for both straight and angled drive type fittings.

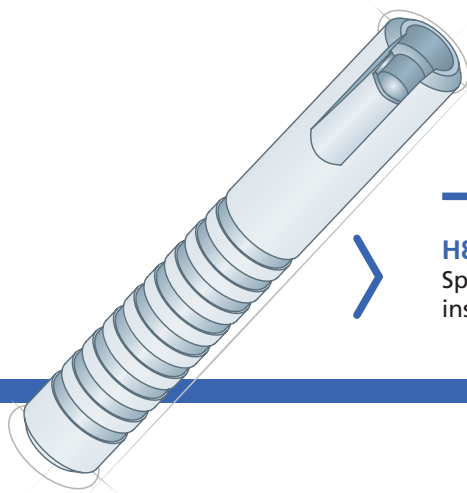
PLEASE NOTE:

Drill sizes provided are approximations only. The exact drill size for drive type fittings may vary with your application and material. SAE recommend testing to ensure reliability in the field. drive type fittings are not recommended for high-pressure applications.



H83200

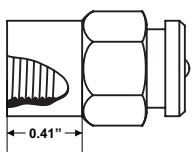
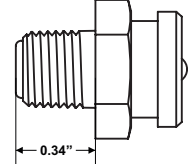
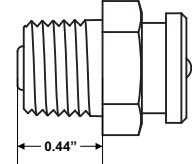
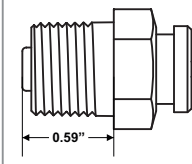
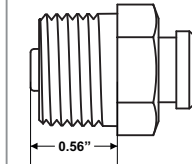
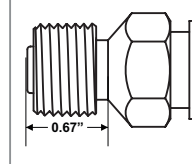
Specially designed to install straight drive type fittings.

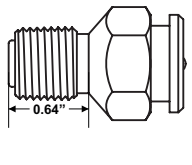
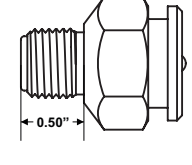


H83250

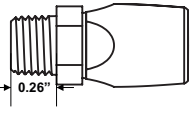
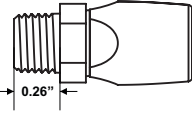
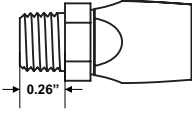
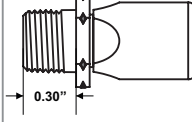
Specially designed to groove for installation of most angled fittings.

BUTTON HEAD

<p>H-HC69 Standard</p> <p>1/8"-27 NPTF Ball Check</p>  <p>← 0.41" →</p>	<p>H-1184 Standard</p> <p>1/8"-27 PTF Spl. Short Ball Check</p>  <p>← 0.34" →</p>	<p>H-1186 Standard</p> <p>1/4"-18 PTF SAE Short Ball Check</p>  <p>← 0.44" →</p>	<p>H-1188 Standard</p> <p>3/8"-18 NPTF Ball Check</p>  <p>← 0.59" →</p>	<p>H-1190 Standard</p> <p>1/2"-14 PTF Spl. Short Ball Check</p>  <p>← 0.56" →</p>	<p>H-1820 Heavy Duty</p> <p>1/2"-14 NPTF Ball Check</p>  <p>← 0.67" →</p>
---	---	--	--	---	---

<p>H-1822 Heavy Duty</p> <p>3/8"-18 NPTF Ball Check</p>  <p>← 0.64" →</p>	<p>H-1823 Heavy Duty</p> <p>1/4"-18 NPTF Ball Check</p>  <p>← 0.50" →</p>
--	--

VENT / 3/8" PTF

<p>H-131000</p> <p>1/8"-27 PTF SAE Short Open. Range. 0.43 PSI Max</p>  <p>← 0.26" →</p>	<p>H-304810</p> <p>1/8"-27 PTF Spl. Short Open. Range. 0.04-0.11 PSI</p>  <p>← 0.26" →</p>	<p>H-327240</p> <p>1/8"-27 PTF SAE Short Open. Range. 1-1.5 PSI</p>  <p>← 0.26" →</p>	<p>H-369606S Stainless</p> <p>1/8"-27 PTF SAE Short Open. Range. 1-2 PSI</p>  <p>← 0.30" →</p>
--	--	---	---

BREATHER

<p>H-301370 Zinc Clear Plating 1/8"-27 PTF Spl. Short</p>	<p>H-321620 Zinc Yellow Plating 1/8"-27 PTF Spl. Short</p>	<p>H-369583 Nickel Plating 1/8"-27 PTF Spl. Short</p>	<p>H-313650 3/8"-18 PTF SAE Short</p>	<p>H-333075 3/8"-18 PTF SAE Short</p>
--	---	--	--	--

1/8"-27 NPTF / 1/4"-28 SAE-LT / SAE J534 / STAINLESS STEEL

<p>H-1610S Straight 1/8"-27 PTF Spl. Ex. Short Standard Shank</p>	<p>H-1613S 90° 1/8"-27 PTF Spl. Short Standard Shank</p>	<p>H-1689S 45° 1/8"-27 PTF Spl. Short Standard Shank</p>	<p>H-1637S 45° 1/4"-28 Taper Thread Standard Shank</p>	<p>H-1641S Straight 1/4"-28 Taper Thread Standard Shank</p>	<p>H-1911S 90° 1/4"-28 Taper Thread Standard Shank</p>
--	---	---	---	--	---

BRITISH THREAD / DIN 71412

<p>H-2600 Straight 1/8"-28 BSPT</p>	<p>H-2601 45° 1/8"-28 BSPT</p>	<p>H-2602 90° 1/8"-28 BSPT</p>
--	---	---

M6 - POPULOR / DIN 71412

<p>H-2106 Straight</p> <p>M6x1.0 Taper Thread Standard Shank</p>	<p>H-2107 45°</p> <p>M6x1.0 Taper Thread Standard Shank</p>	<p>H-2108 90°</p> <p>M6x1.0 Taper Thread Standard Shank</p>	<p>H-211652 Straight</p> <p>M6x1.0 Taper Thread Long Shank</p>	<p>H-211680 Straight</p> <p>M6x1.0 Taper Thread Extra Long Shank</p>	<p>H-213014 Straight</p> <p>M6x1.0 Taper Thread Ultra Long Shank</p>
---	--	--	---	---	---

M8 - POPULOR / DIN 71412

<p>H-2103 Straight</p> <p>M8x1.0 Taper Thread Standard Shank</p>	<p>H-2104 45°</p> <p>M8x1.0 Taper Thread Standard Shank</p>	<p>H-2105 90°</p> <p>M8x1.0 Taper Thread Standard Shank</p>
---	--	--

M10 - POPULOR / DIN 71412

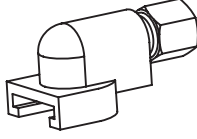
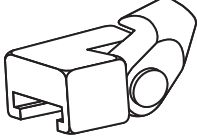
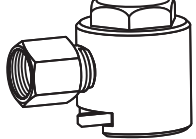
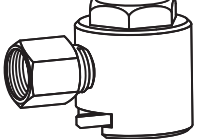
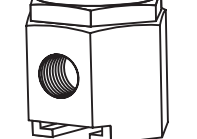
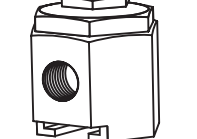

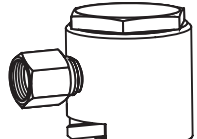
<p>H-2109 Straight</p> <p>M10x1.0 Taper Thread Standard Shank</p>	<p>H-2110 45°</p> <p>M10x1.0 Taper Thread Standard Shank</p>	<p>H-2111 90°</p> <p>M10x1.0 Taper Thread Standard Shank</p>
--	---	---

COUPLERS / CONVENTIONAL

<p>6304-B Standard</p> <p>1/8"-27 NPTF For Air / Battery Equip.</p> 	<p>6304-C Standard</p> <p>1/8"-27 NPTF For Air / Battery Equip.</p> 	<p>308730 Narrow</p> <p>1/8"-27 NPTF For Hand Equip.</p> 
--	--	---

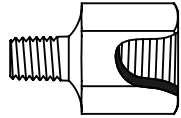
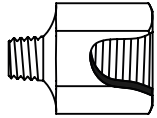
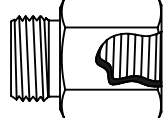
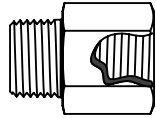
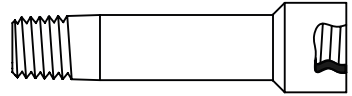
ITEM #	DESCRIPTION	EQUIPMENT TYPE	THREAD	WORKING PRESSURE	BALL CHECK
A-6304-B	Hydraulic Couplers - Conventional	Air / Battery	1/8"-27 NPTF	10,000 PSI	No
A-6304-C	Hydraulic Couplers - Conventional	Air / Battery	1/8"-27 NPTF	10,000 PSI	Yes
A-308730	Hydraulic Couplers - Conventional	Air / Battery	1/8"-27 NPTF	10,000 PSI	No

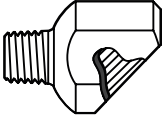
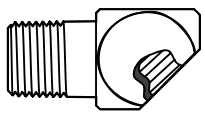
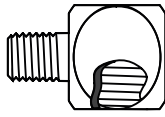
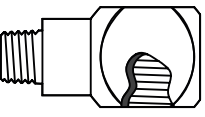
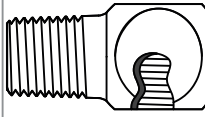
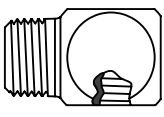
COUPLERS / BUTTTON HEAD


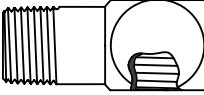
<p>H84420 Button Head Coupler 1/8"-27 NPTF Push-On</p> 	<p>H84415 Button Head Coupler Swivel 1/8"-27 NPTF Push-On</p> 	<p>H84425 Button Head Coupler 1/8"-27 NPTF Pull-On</p> 	<p>H84440 Button Head Coupler M10x1.0 Pull-On</p> 	<p>H84400 Button Head Coupler 7/16"-27 UNS Pull-On</p> 	<p>H84460 Heavy Duty Button Head Coupler 7/16"-27 UNS Push-On / Pull-On</p> 
<p>H84450 Heavy Duty Button Head Coupler 7/16"-27 UNS Pull-On</p> 	<p>H84475 Heavy Duty Button Head Coupler 1/8"-27 NPTF Pull-On</p> 				

ITEM #	DESCRIPTION	EQUIPMENT TYPE	THREAD	WORKING PRESSURE
H84420	Coupler - Button Head Push-On	Hand	1/8"-27 NPTF	3,000 PSI
H84415	Coupler - Button Head Push-On	Hand	1/8"-27 NPTF	3,000 PSI
H84425	Coupler - Button Head Push-On	Air / Battery	1/8"-27 NPTF	6,000 PSI
H84440	Coupler - Button Head Push-On	Air / Battery	1/8"-27 NPTF	6,000 PSI
H84400	Coupler - Button Head Push-On	Air / Battery	1/8"-27 NPTF	10,000 PSI
H84460	Coupler - Heavy Duty Button Head Push-On/Pull-On	Air / Battery	1/8"-27 NPTF	10,000 PSI
H84450	Coupler - Heavy Duty Button Head Pull-On	Air / Battery	1/8"-27 NPTF	10,000 PSI
H84475	Coupler - Heavy Duty Button Head Pull-On	Air / Battery	1/8"-27 NPTF	7,500 PSI

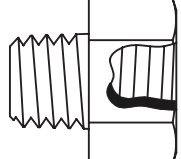
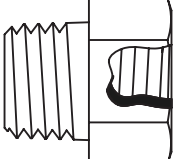

ADAPTER / MALE X FEMALE

<p>H-A51942 Straight</p> <p>Female: 1/8"-27 NPTF Male: 1/4"-28 SAE-LT</p> 	<p>H-51942 Straight</p> <p>Female: 1/8"-27 NPTF Male: 1/4"-28 SAE-LT</p> 	<p>H-305859 Straight</p> <p>Female: 1/8"-27 NPTF Male: 7/16"-27 UNS</p> 	<p>H-43761 Straight</p> <p>Female: 1/8"-27 NPTF Male: 1/8"-27 NPTF</p> 	<p>H-247616 Straight</p> <p>Female: 1/4"-28 UNF Male: 1/4"-28 SAE-LT</p> 
---	--	---	--	---

<p>H-310912 45°</p> <p>Female: 1/8"-27 NPTF Male: 1/4"-28 SAE-LT</p> 	<p>H-43716 45°</p> <p>Female: 1/8"-27 NPTF Male: 1/8"-27 PTF SAE</p> 	<p>H-51943 90°</p> <p>Female: 1/8"-27 NPTF Male: 1/4"-8 SAE-LT</p> 	<p>H-A51943 90°</p> <p>Female: 1/8"-27 NPTF Male: 1/4"-28 SAE-LT</p> 	<p>H-43718 90°</p> <p>Female: 1/8"-27 NPTF Male: 1/4"-18 PTF SAE</p> 	<p>H-316071 90°</p> <p>Female: 1/8"-27 PTF Spl. Male: 1/8"-27 PTF Spl.</p> 
---	---	--	--	---	--

<p>H-44701 90°</p> <p>Female: 1/8"-27 NPTF Male: 1/8"-27 PTF SAE</p> 	<p>H-43706 90°</p> <p>Female: 1/8"-27 NPTF Male: 1/8"-27 NPTF</p> 
--	---

ADAPTER / METRIC TO ENGLISH

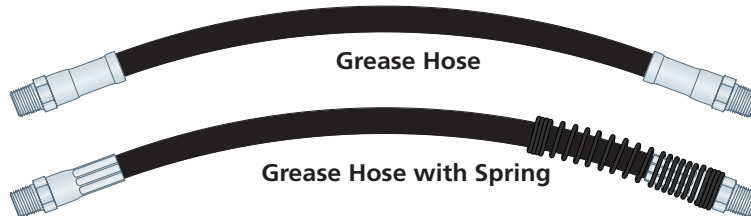
<p>H-MET06 Straight</p> <p>Female: 1/4"-28 UNF Male: M6x1.0</p> 	<p>H-MET08 Straight</p> <p>Female: 1/4"-28 UNF Male: M8x1.0</p> 	<p>H-MET10 Straight</p> <p>Female: 1/4"-28 UNF Male: M10x1.0</p> 
---	---	---

STANDARD GREASE HOSES / 3,000 PSI

Flexible Grease Hoses

Standard

1/8"-27 NPTF



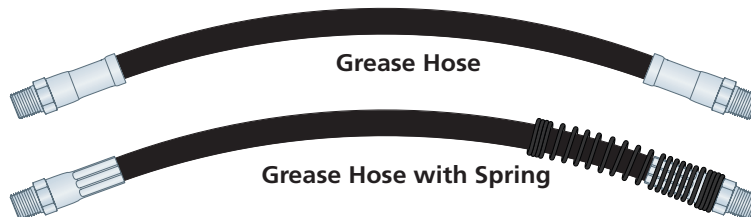
ITEM #	DESCRIPTION	LENGTH	EQUIPMENT TYPE	THREAD	WORKING PRESSURE	BURST PRESSURE
H-82008	Grease Hose Assembly - Standard	8"	Hand	1/8"-27 NPTF	3,000 PSI	11,600 PSI
H-82012	Grease Hose Assembly - Standard	12"	Hand	1/8"-27 NPTF	3,000 PSI	11,600 PSI
H-82018	Grease Hose Assembly - Standard	18"	Hand	1/8"-27 NPTF	3,000 PSI	11,600 PSI
H-82052	Grease Hose Assembly - Standard	12"	Hand	M10x1.0	3,000 PSI	11,600 PSI
H-82012P	Grease Hose Assembly - Standard with Spring	12"	Hand	1/8"-27 NPTF	3,000 PSI	11,600 PSI
H-82018P	Grease Hose Assembly - Standard with Spring	18"	Hand	1/8"-27 NPTF	3,000 PSI	11,600 PSI
H-82052	Grease Hose Assembly - Standard with Spring	12"	Hand	M10x1.0	3,000 PSI	11,600 PSI

HEAVY DUTY GREASE HOSES / 5,800 PSI

Flexible Grease Hoses

Heavy Duty

1/8"-27 NPTF



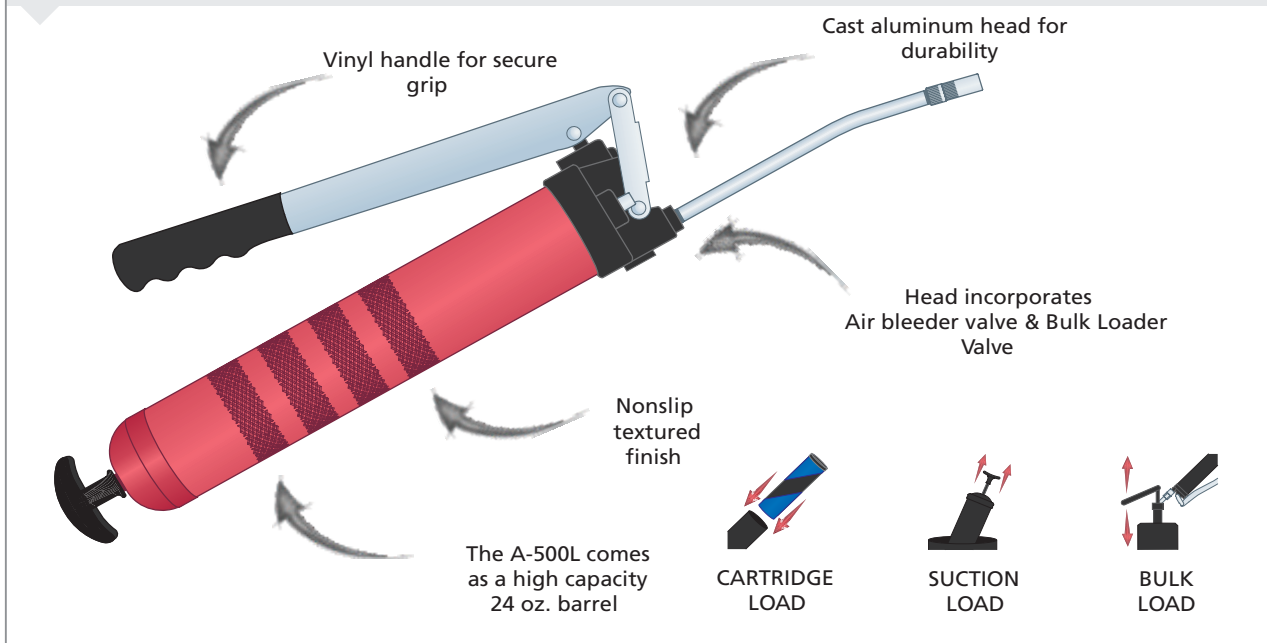
ITEM #	DESCRIPTION	LENGTH	EQUIPMENT TYPE	THREAD	WORKING PRESSURE	BURST PRESSURE
H-82512	Grease Hose Assembly - Heavy Duty	12"	Air / Battery	1/8"-27 NPTF	5,800 PSI	13,775 PSI
H-82518	Grease Hose Assembly - Heavy Duty	18"	Air / Battery	1/8"-27 NPTF	5,800 PSI	13,775 PSI
H-52552	Grease Hose Assembly - Heavy Duty	12"	Air / Battery	M10x1.0	5,800 PSI	13,775 PSI
H-82512P	Grease Hose Assembly - Heavy Duty with Spring	12"	Air / Battery	1/8"-27 NPTF	5,800 PSI	13,775 PSI
H-82518P	Grease Hose Assembly - Heavy Duty with Spring	18"	Air / Battery	1/8"-27 NPTF	5,800 PSI	13,775 PSI
H-82018P	Grease Hose Assembly - Heavy Duty with Spring	12"	Air / Battery	M10x1.0	5,800 PSI	13,775 PSI
H-82520	Grease Hose Assembly - Heavy Duty for H-81650	18"	Hand	1/4"-18 NPTF	5,800 PSI	13,775 PSI

LEVER GREASE GUN / 10,000 PSI

A-500

Lever Grease Gun - Professional
 14 Oz. Cartridge Capacity
 1/8"-27 NPT with Pipe & Coupler
 10,000 PSI

1 oz per 21 strokes



ITEM #	DESCRIPTION	LENGTH	EQUIPMENT TYPE	THREAD	WORKING PRESSURE	BURST PRESSURE
H-500	Lever - Professional	12"	Air / Battery	1/8"-27 NPTF	5,800 PSI	13,775 PSI
H-500E	Lever - Professional w/ Hose	18"	Air / Battery	1/8"-27 NPTF	5,800 PSI	13,775 PSI
H-500L	Lever - High Capacity Pro	12"	Air / Battery	M10x1.0	5,800 PSI	13,775 PSI

Other Product Lines

NUVO - PRODUCTS

SWIVEL JOINTS

NUVO - SWIVELS



HYDRAULIC TUBING

NUVO - TUBES



PROTECTIVE GUARDS & SLEEVES

NUVO - GUARDS



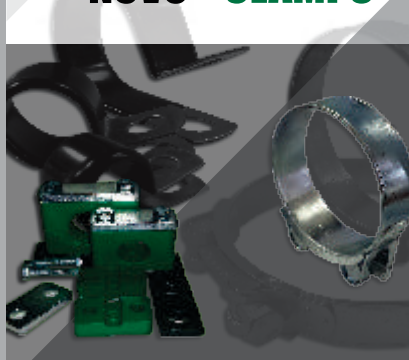
Adapters Complete Series

NUVO - CONNECTIONS



Tube Support
& Super Band Clamps

NUVO - CLAMPS



HYDRAULIC HOSES

NUVOFLEX

