

SWIVEL JOINTS

NUVO - SWIVELS





TABLE OF CONTENTS

Introduction.....2

SWIVEL JOINTS - 3000PSI.....4

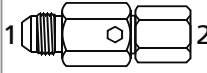
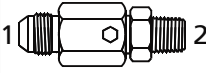
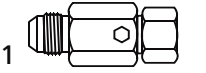
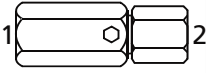
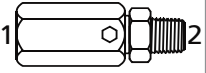


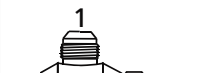



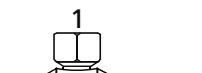










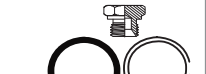
SWIVEL JOINTS - 5000PSI.....5-6

DUAL PLANE SWIVELS.....7

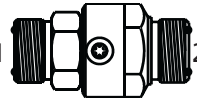
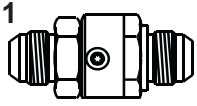
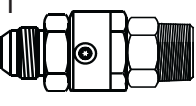
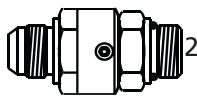
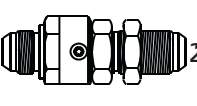
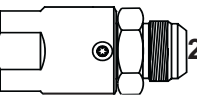
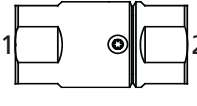
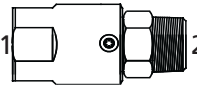
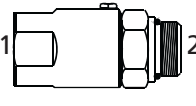
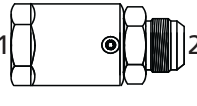
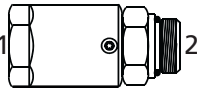
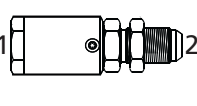
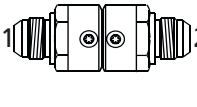
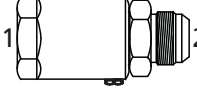
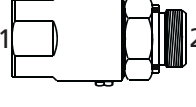
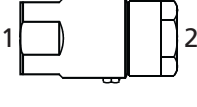
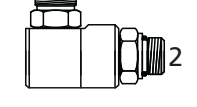
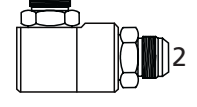
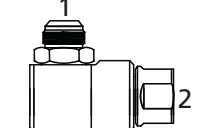
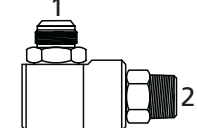
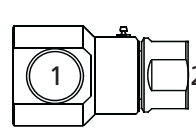
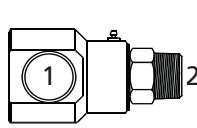
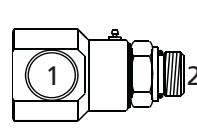
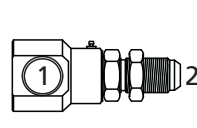
INLINE & 90° LIVE SWIVELS.....8



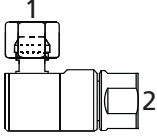
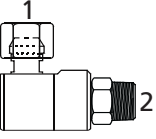
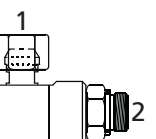
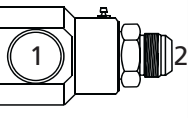
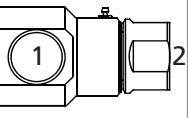
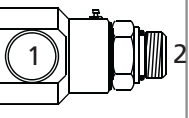
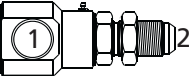
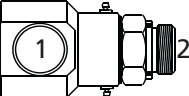
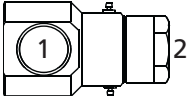

SWIVEL JOINTS - 3000 PSI

<p>312526 3000 PSI</p> <p>M.JIC - F.NPTF</p> 	<p>312528 3000 PSI</p> <p>M.JIC - M.NPTF</p> 	<p>312529 3000 PSI</p> <p>M.JIC - F.JIC</p> 	<p>312626 3000 PSI</p> <p>F.NPT - F.NPT</p> 	<p>312628 3000 PSI</p> <p>F.NPTF - M.NPTF</p> 	<p>392525 3000 PSI</p> <p>M.JIC - M.JIC 90°</p> 
<p>392526 3000 PSI</p> <p>M.JIC - F.NPTF 90°</p> 	<p>392528 3000 PSI</p> <p>M.JIC - M.NPTF 90°</p> 	<p>392530 3000 PSI</p> <p>M.JIC - M.ORB 90°</p> 	<p>392625 3000 PSI</p> <p>F.NPTF - M.JIC 90°</p> 	<p>392626 3000 PSI</p> <p>F.NPTF - F.NPTF 90°</p> 	<p>392628 3000 PSI</p> <p>F.NPTF - M.NPTF 90°</p> 
<p>392630 3000 PSI</p> <p>F.NPTF - M.ORB 90°</p> 	<p>392725 3000 PSI</p> <p>F.NPSM - M.JIC 90°</p> 	<p>392726 3000 PSI</p> <p>F.NPSM - F.NPTF 90°</p> 	<p>392728 3000 PSI</p> <p>F.NPSM - M.NPTF 90°</p> 	<p>392730 3000 PSI</p> <p>F.NPSM - M.ORB 90°</p> 	<p>392825 3000 PSI</p> <p>M.NPTF - M.JIC 90°</p> 
<p>392826 3000 PSI</p> <p>M.NPTF - F.NPTF 90°</p> 	<p>392828 3000 PSI</p> <p>M.NPTF - M.NPTF 90°</p> 	<p>392830 3000 PSI</p> <p>M.NPTF - M.ORB 90°</p> 	<p>3SS SEAL KIT</p> <p>3000 SEAL KIT STRAIGHT</p> 	<p>3S9 SEAL KIT</p> <p>3000 SEAL KIT 90°</p> 	

SWIVEL JOINTS - 5000 PSI

<p>512424 5000 PSI M.ORS - M.ORS</p> 	<p>512525 5000 PSI M.JIC - M.JIC</p> 	<p>512528 5000 PSI M.JIC - M.NPTF</p> 	<p>512530 5000 PSI M.JIC - M.ORB</p> 	<p>512532 5000 PSI M.JIC - M.JIC BULKHEAD</p> 	<p>512625 5000 PSI F.NPTF - JIC</p> 
<p>512626 5000 PSI F.NPTF - F.NPTF</p> 	<p>512628 5000 PSI F.NPT - M.NPT</p> 	<p>512630 5000 PSI F.NPTF - M.ORB</p> 	<p>512925 5000 PSI F.JIC - M.JIC</p> 	<p>512930 5000 PSI F.JIC - M.ORB</p> 	<p>512932 5000 PSI F.JIC - M.JIC BULKHEAD</p> 
<p>522525 5000 PSI M.JIC - M.JIC DOUBLE BEARING</p> 	<p>512528 5000 PSI F.JIC - M.JIC</p> 	<p>525005 5000 PSI F.BSPP - M.BSPP</p> 	<p>525050 5000 PSI F.BSPP - F.BSPP</p> 	<p>592430 5000 PSI M.ORS - M.ORB 90°</p> 	<p>592525 5000 PSI M.JIC - M.JIC 90°</p> 
<p>592526 5000 PSI M.JIC - F.NPT 90°</p> 	<p>592528 5000 PSI M.JIC - M.NPTF 90°</p> 	<p>592626 5000 PSI F.NPTF - F.NPTF 90°</p> 	<p>592628 5000 PSI F.NPTF - M.NPTF 90°</p> 	<p>592630 5000 PSI F.NPTF - M.ORB 90°</p> 	<p>592632 5000 PSI F.NPTF - M.JIC 90° BULKHEAD</p> 

SWIVEL JOINTS - 5000 PSI

<p>592726 5000 PSI</p> <p>F.NPSM - F.NPTF 90°</p> 	<p>592728 5000 PSI</p> <p>F.NPSM - M.NPTF 90°</p> 	<p>592730 5000 PSI</p> <p>F.NPSM - M.ORB 90°</p> 	<p>593125 5000 PSI</p> <p>F.ORB - M.JIC 90°</p> 	<p>593126 5000 PSI</p> <p>F.ORB - F.NPTF 90°</p> 	<p>593130 5000 PSI</p> <p>F.ORB - M.ORB 90°</p> 
<p>593132 5000 PSI</p> <p>F.ORB - M.JIC 90° BULKHEAD</p> 	<p>595005 5000 PSI</p> <p>F.BSPP - M.BSPP 90°</p> 	<p>595050 5000 PSI</p> <p>F.BSPP - F.BSPP 90°</p> 	<p>5SS SEAL KIT</p> <p>5000 PSI SEAL KIT</p> 		

SWIVEL JOINTS

Pivotant Double 90°

90° Dual Plane Swivels



* Sur Demande
* On Demand



**Automatic Car Wash Industry
Lavage Automatique Industriel
Inline & 90° Live Swivels
90° Pivotant & Droit**



* Sur Demande
* On Demand

Other Product Lines

NUVO - PRODUCTS

SWIVEL JOINTS

NUVO - SWIVELS



HYDRAULIC TUBING

NUVO - TUBES



PROTECTIVE GUARDS & SLEEVES

NUVO - GUARDS



Adapters Complete Series

NUVO - CONNECTIONS



Tube Support
& Super Band Clamps

NUVO - CLAMPS



HYDRAULIC HOSES

NUVOFLEX

